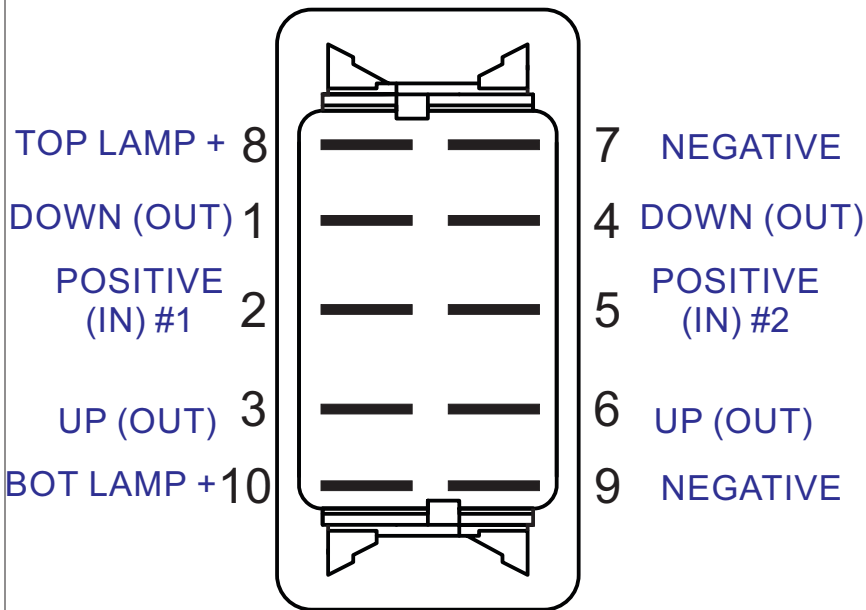


ON-OFF-ON (10 TERM)

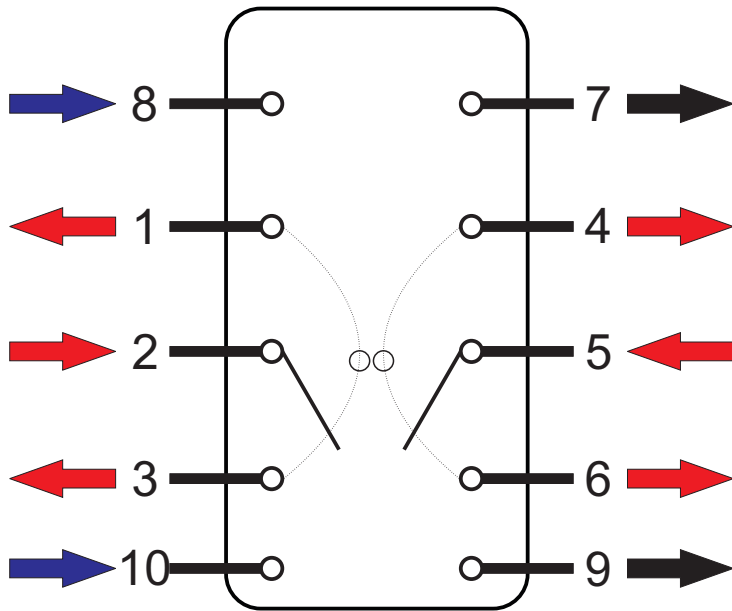
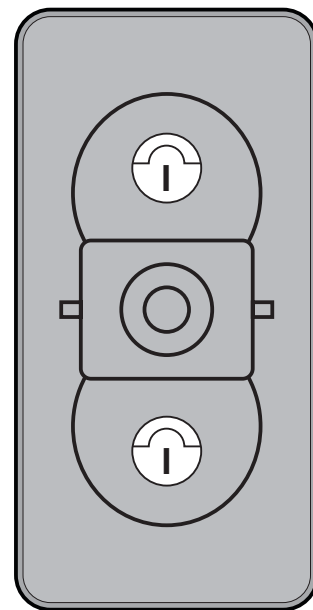
(VJD2-U66B body)



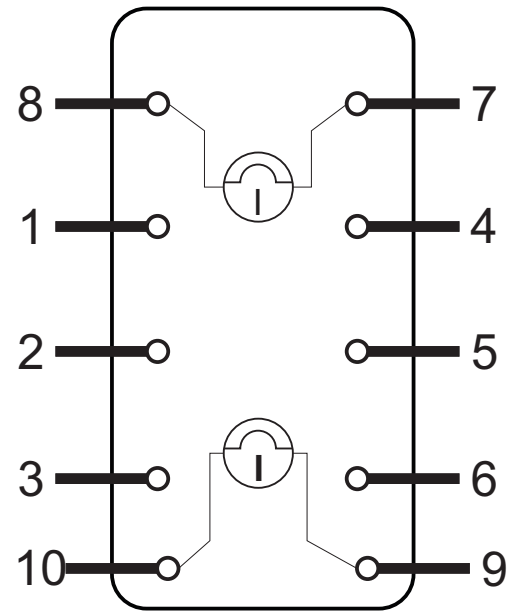
TERMINALS



LAMPS



CIRCUIT DIAGRAM



LAMP DIAGRAM

www.NewWireMarine.com

- DEPENDENT LAMP
- INDEPENDENT LAMP
- (ON) MOMENTARY CIRCUIT
- MOMENTARY CIRCUIT

- LOAD CURRENT IN/OUT
- INDEPENDENT LAMP TRIGGER
- NEGATIVE RETURN CURRENT

KEY