

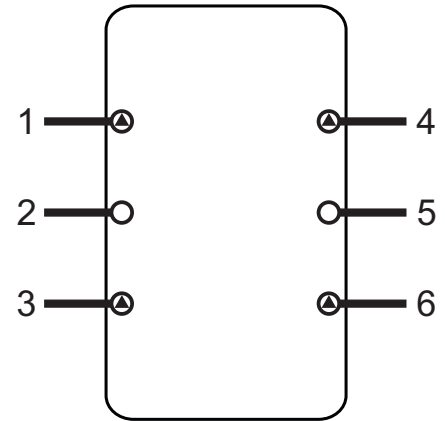
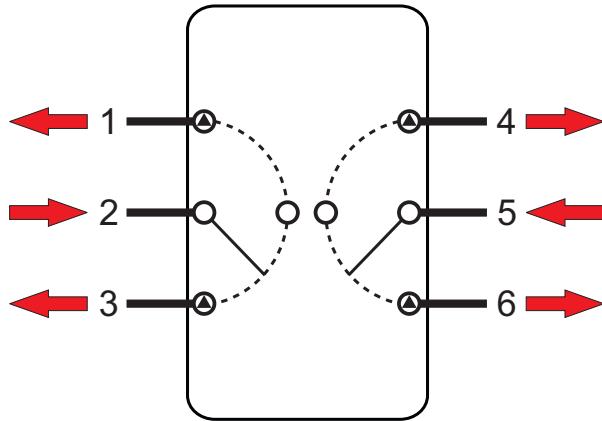
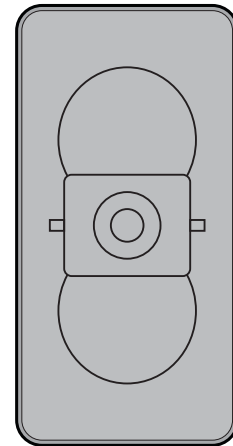
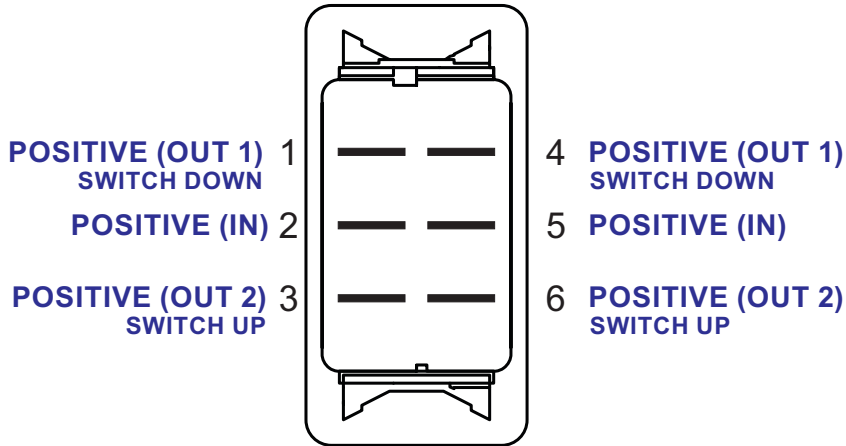


(ON)-OFF-(ON) VLD1-S00B

NEW WIRE MARINE
CUSTOM SWITCH PANELS

TERMINALS

LAMPS



CIRCUIT DIAGRAM

CIRCUIT DIAGRAM

www.NewWireMarine.com

KEY

- DEPENDENT INCANDESCENT LAMP (WHITE)
- INDEPENDENT INCANDESCENT LAMP (WHITE)
- DEPENDENT LED LAMP (RED)
- INDEPENDENT LED LAMP (RED)

- LOAD CURRENT IN/OUT
- INDEPENDENT LAMP TRIGGER
- NEGATIVE RETURN CURRENT
- (ON) MOMENTARY CIRCUIT
- MOMENTARY CIRCUIT